

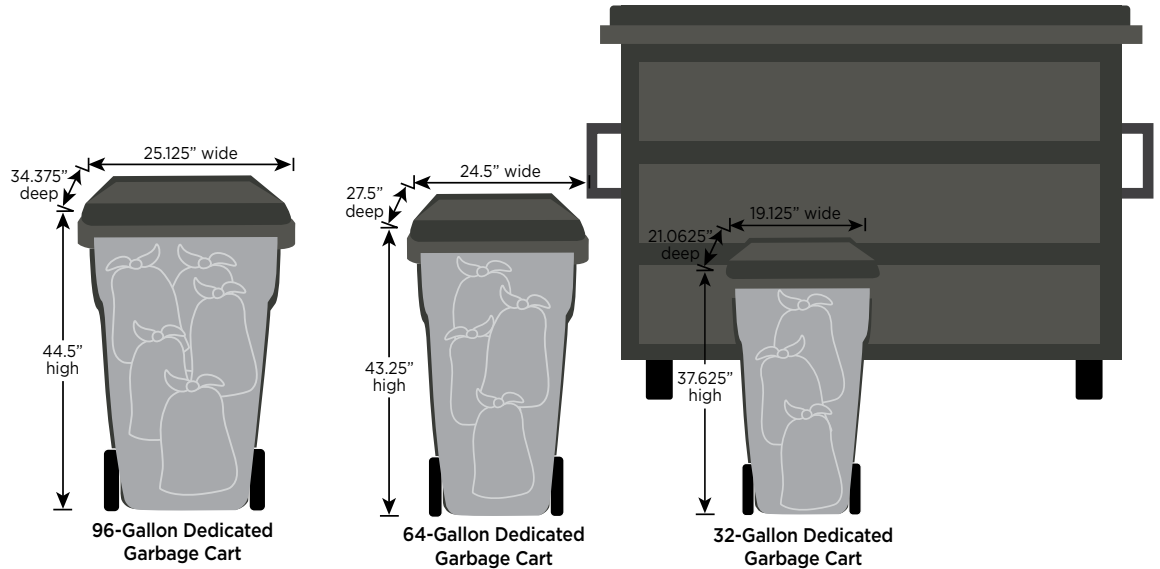
Multi-Family BINS & CARTS

GARBAGE BINS:

- 1 cubic yard bin
- 1.5 cubic yard bin
- 2 cubic yard bin
- 3 cubic yard bin
- 4 cubic yard bin
- 6 cubic yard bin
- 8 cubic yard bin

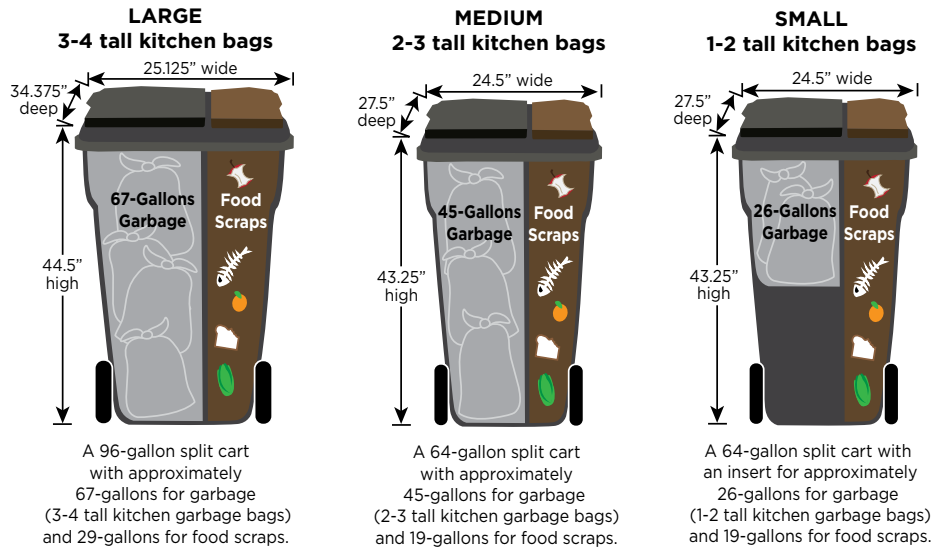
DEDICATED GARBAGE CARTS:

- 96-gallon cart
- 64-gallon cart
- 32-gallon cart



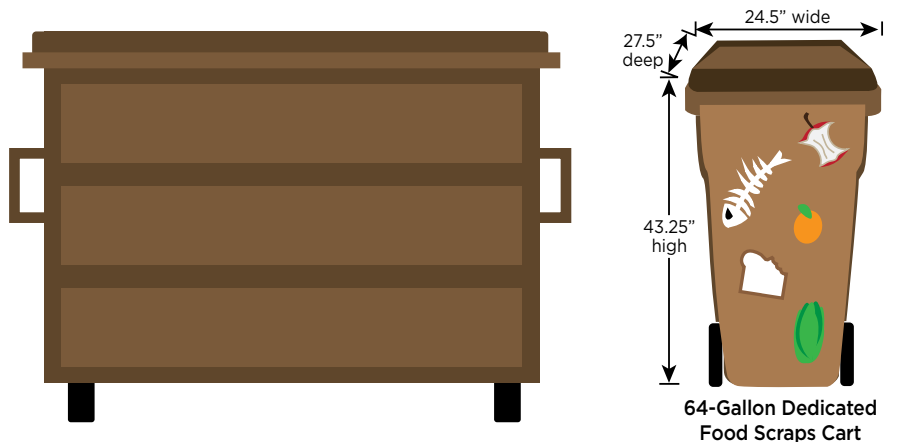
GARBAGE/FOOD SCRAPS SPLIT CARTS:

- LARGE
- MEDIUM
- SMALL



FOOD SCRAPS BINS/CARTS:

- 1 cubic yard bin
- 2 cubic yard bin
- 3 cubic yard bin
- 64-gallon cart





Multi-Family BINS & CARTS

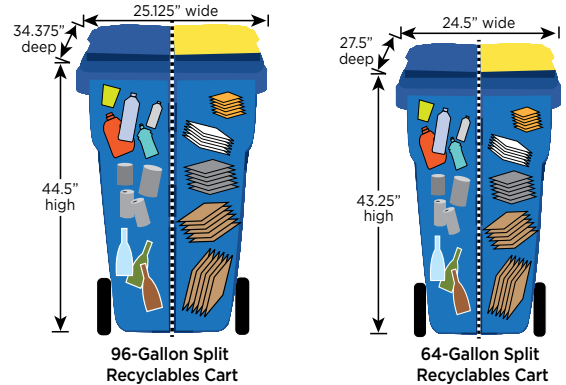
RECYCLABLES BIN/CART SELECTION

CHOOSE **EITHER** SPLIT CART(S) **OR** DEDICATED BIN(S)/CART(S) (MUST CHOOSE ONE OF EACH) Multi-Family Buildings with 5 or more units must have recycling services in place to be compliant with the State of California mandatory recycling ordinance. Please visit www.CalRecycle.ca.gov for more information. Milpitas Sanitation has a **dual stream recycling program**. **THERE IS NO LONGER A SINGLE-STREAM RECYCLABLES PROGRAM**. Customers must have **either** split carts for recycling **or** at least two dedicated recyclable carts (one for paper and fibers and one for recyclable plastic, glass, metal containers).

RECYCLABLES SPLIT CART(S):

64-gallon Recyclables Split Cart (32-gallons paper & fibers/32-gallons recyclable plastic, metal, glass containers)

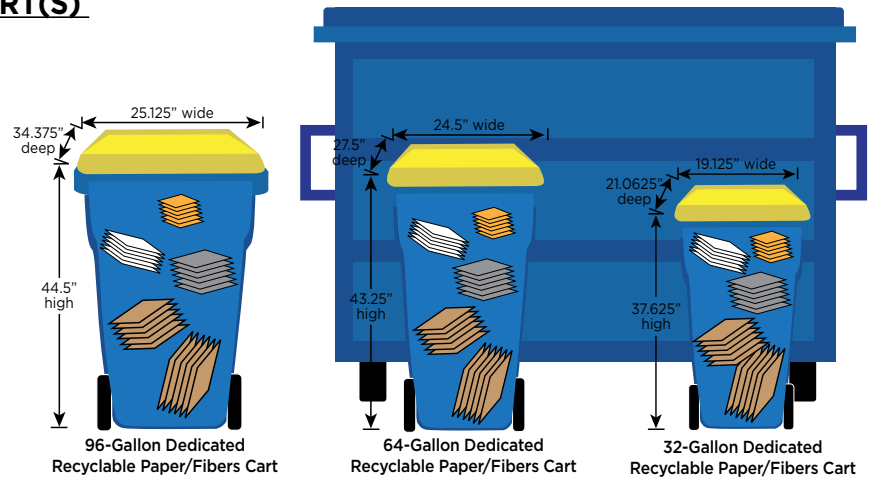
96-gallon Recyclables Split Cart (48-gallons paper & fibers/48-gallons recyclable plastic, metal, glass containers)



DEDICATED RECYCLABLES BIN(S)/CART(S) MUST CHOOSE ONE OF EACH:

DEDICATED PAPER/FIBERS RECYCLABLE BIN OR CART

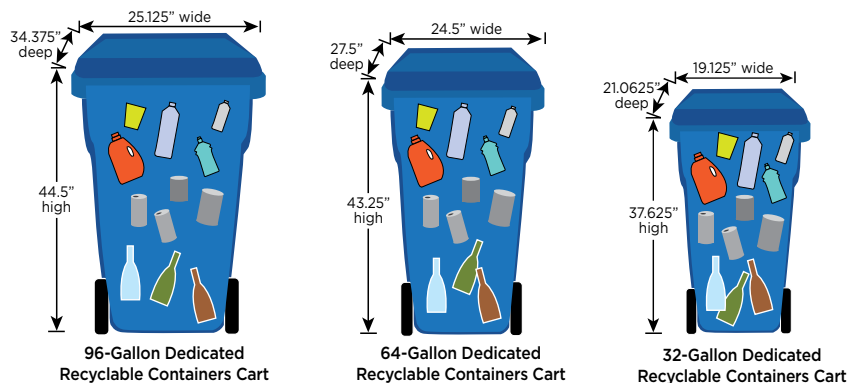
- 1 cubic yard bin
- 1.5 cubic yard bin
- 2 cubic yard bin
- 3 cubic yard bin
- 4 cubic yard bin
- 6 cubic yard bin
- 8 cubic yard bin
- 96-gallon cart
- 64-gallon cart
- 32-gallon cart



AND

DEDICATED RECYCLABLE PLASTIC, METAL, GLASS CONTAINERS CART

- 96-gallon cart
- 64-gallon cart
- 32-gallon cart



YARD TRIMMINGS BIN/CART - DEDICATED CARTS ONLY

Dedicated Yard Trimmings Carts are for clean yard trimmings only. Food scraps and food-soiled paper belong in the appropriate food scraps collection container. If no food scraps container is present, food scraps will go in the garbage.

YARD TRIMMINGS BIN(S)/CART(S):

- 1 cubic yard bin
- 1.5 cubic yard bin
- 2 cubic yard bin
- 3 cubic yard bin
- 4 cubic yard bin
- 6 cubic yard bin
- 8 cubic yard bin
- 96-gallon cart
- 64-gallon cart
- 32-gallon cart

